







			RE-230	RE-260	RE-300	RE-420	RE-480	RE-550	RE-620	RE-710	RE-820	RE-920	
	(50Hz)	Rpm	2950										
	(50Hz)	m <sup>3</sup> /h	232	266	307	417	481	554	625	712	820	924	
	VI		2.2 2.6 3.0 3.5 4.4										
		%	25 , 50 , 75 , 100										
		%	25~100										
			3 2										
		550	Y- ,PWS, DOL						Y- , DOL				
	(50Hz)	V	380										
			F										
			PTC										
	L	14	16	16	16	17	19	23	26	28	28		
	W	300											
	Bar	32											

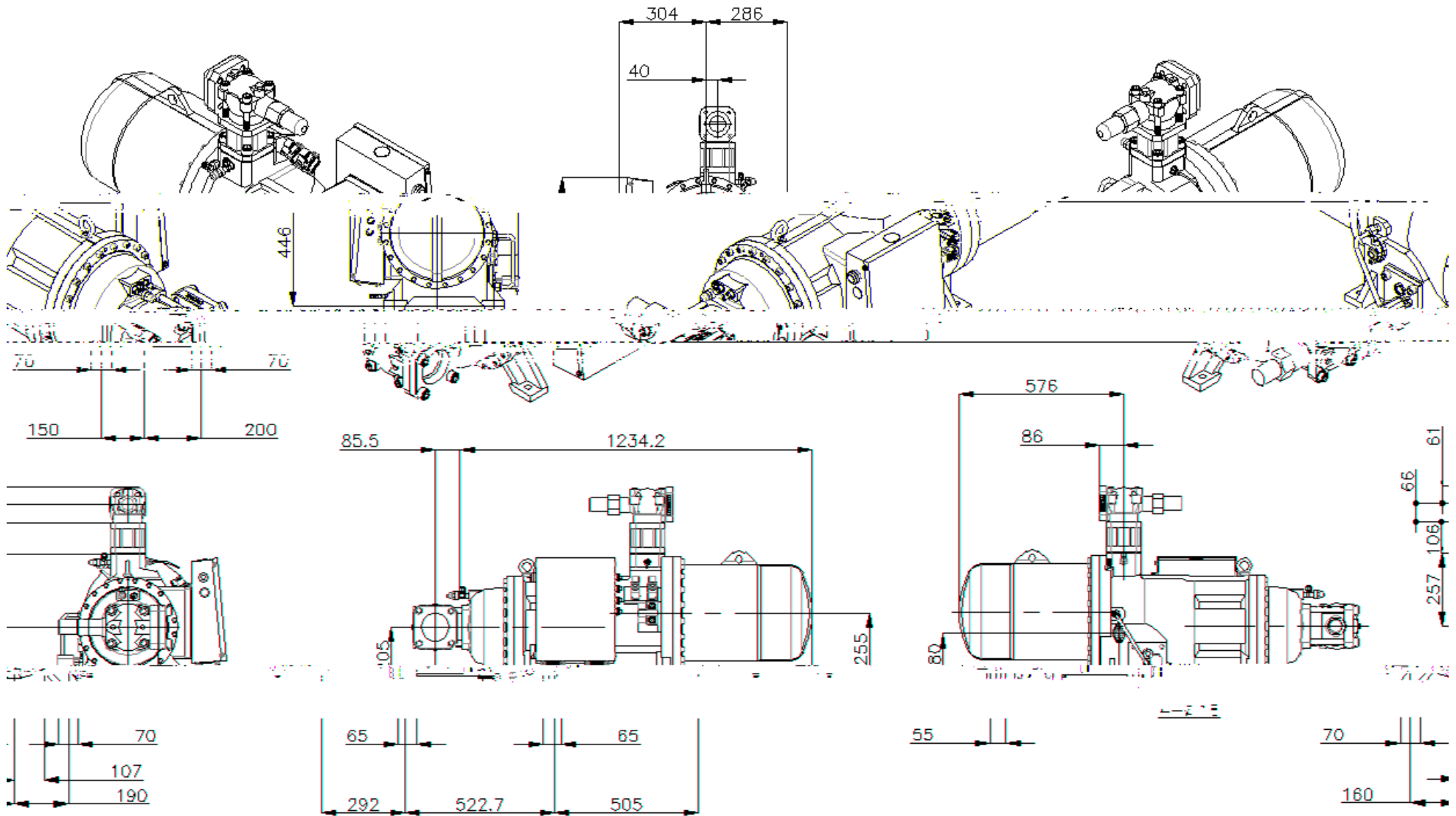


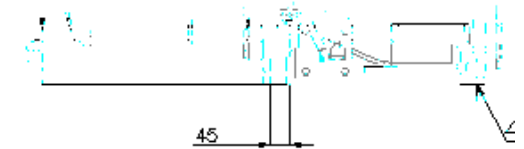
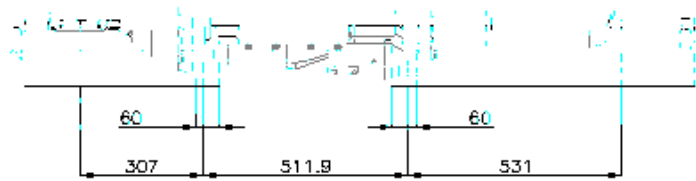
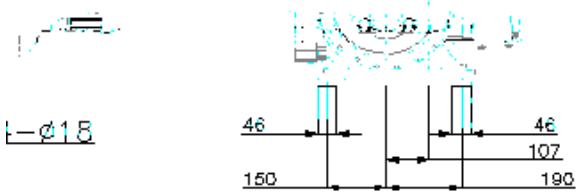
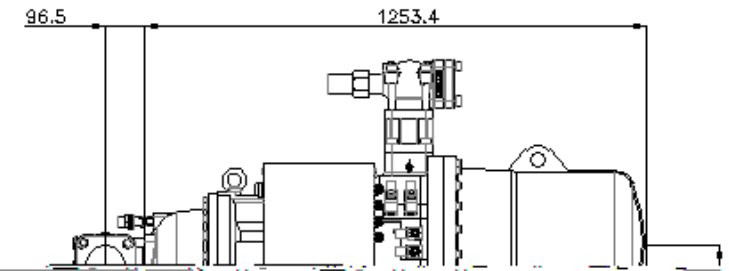
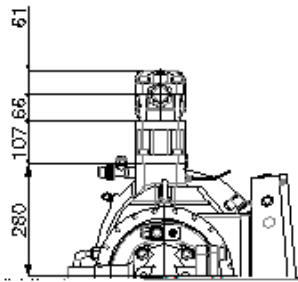
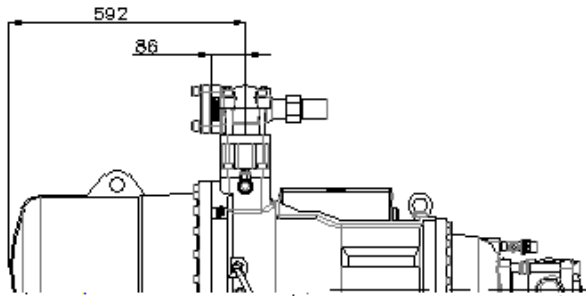
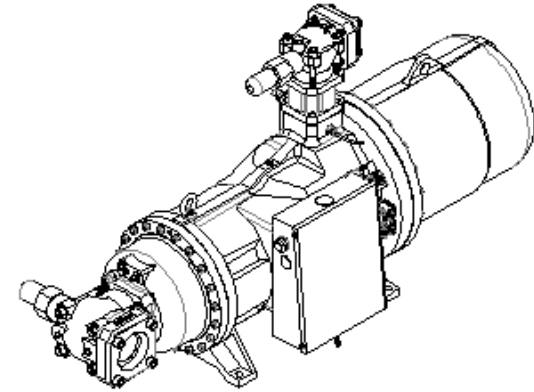
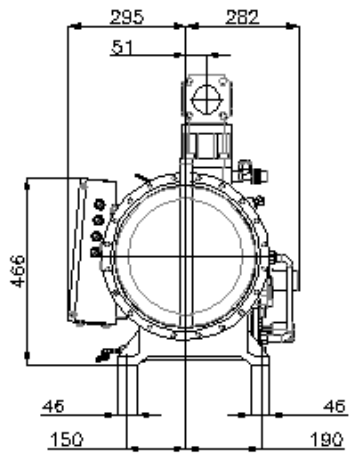
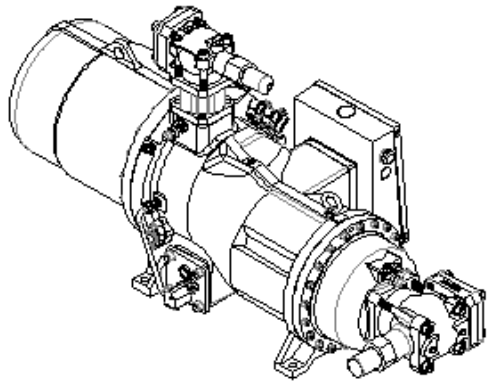
		-5	0	5	10
25	(kW)	224.0	274.6	334.0	402.9
	(kW)	38.4	38.7	38.9	38.7
	(A)	67.1	67.7	67.9	67.7
30	(kW)	212.7	261.4	318.4	384.8
	(kW)	42.9	43.5	43.9	44.0
	(A)	74.2	75.1	75.7	75.9
35	(kW)	201.3	247.9	302.6	366.4
	(kW)	48.0	48.8	49.5	49.8

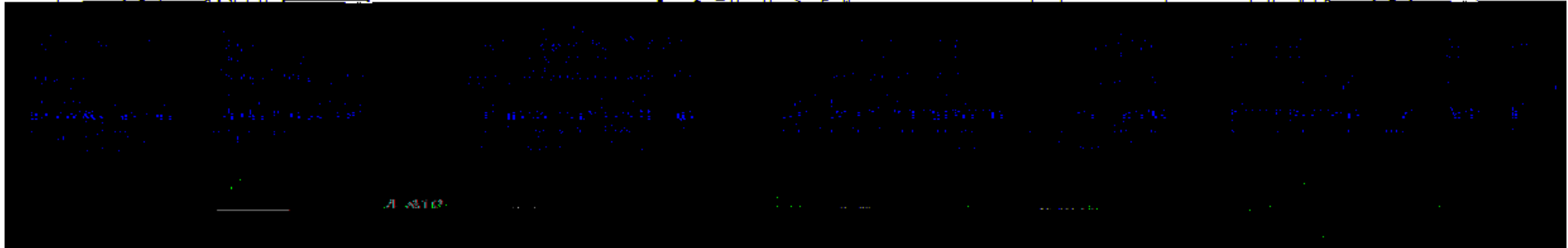
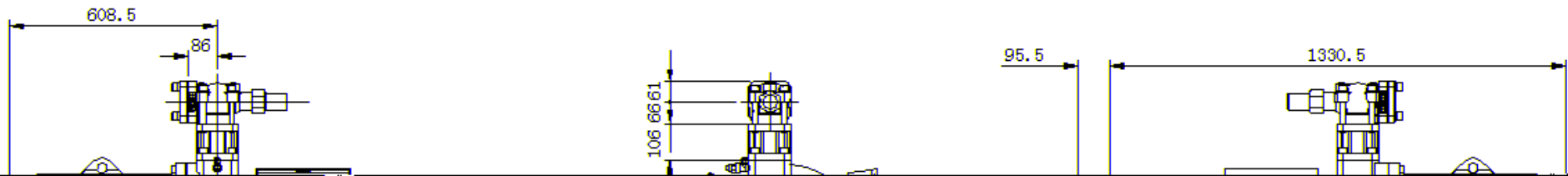
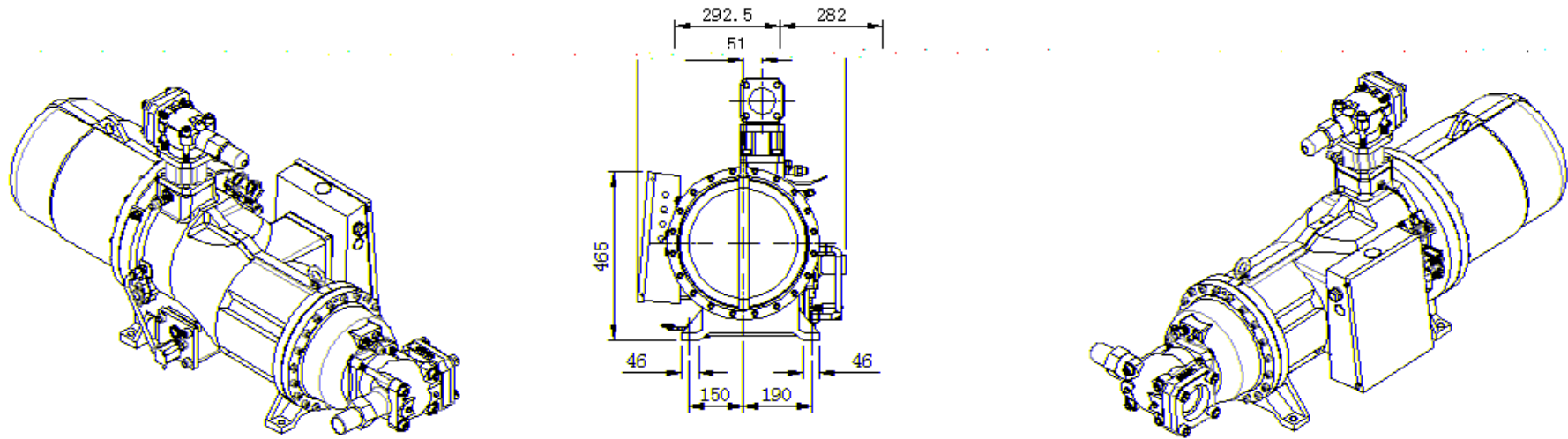
		-5	0	5	10
25	(kW)	286.0	350.7	426.5	514.7
	(kW)	48.2	48.6	48.8	48.6
	(A)	88.8	89.4	89.6	89.4
30	(kW)	271.6	333.7	406.6	491.4
	(kW)	53.9	54.7	55.2	55.2
	(A)	96.4	97.4	98.1	98.2
35	(kW)	256.9	316.5	386.4	467.8
	(kW)	60.3	61.3	62.1	62.5
	(A)	105.3	106.9	108.0	108.6
40	(kW)	241.8	298.8	365.8	443.9
	(kW)	67.2	68.6	69.7	70.4
	(A)	115.6			

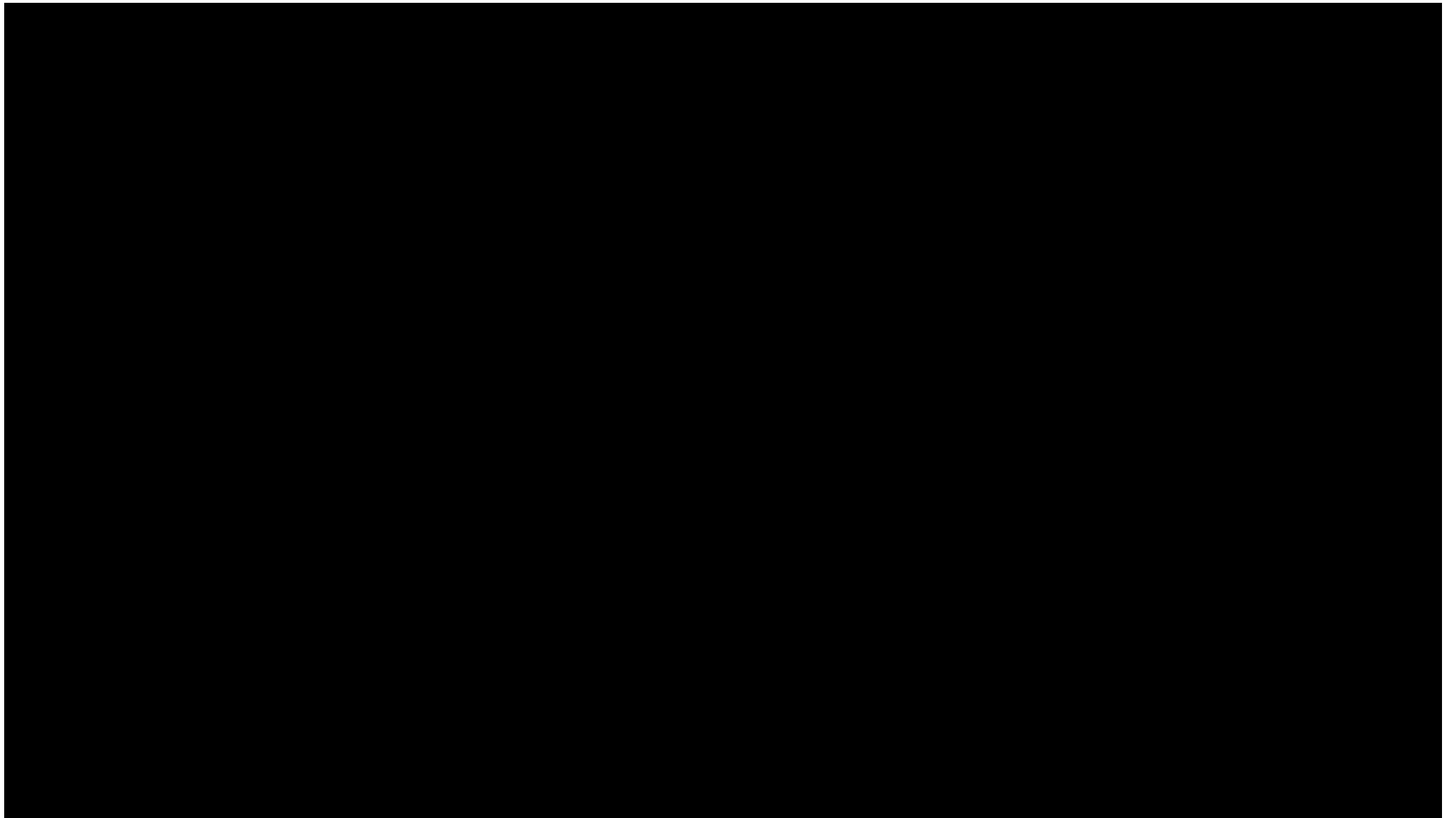
		-5	0	5	10
25	(kW)	377.2	462.6	562.6	678.8
	(kW)	62.8	63.4	63.7	63.4
	(A)	107.3	108.3	108.7	108.3
30	(kW)	358.3	440.2	536.3	648.1
	(kW)	70.3	71.3	72.0	72.1
	(A)	120.1	121.8	122.8	123.0
35	(kW)	338.9	417.4	509.6	617.0
	(kW)	78.6	80.0	81.0	81.5
	(A)	134.2	136.6	138.3	139.2

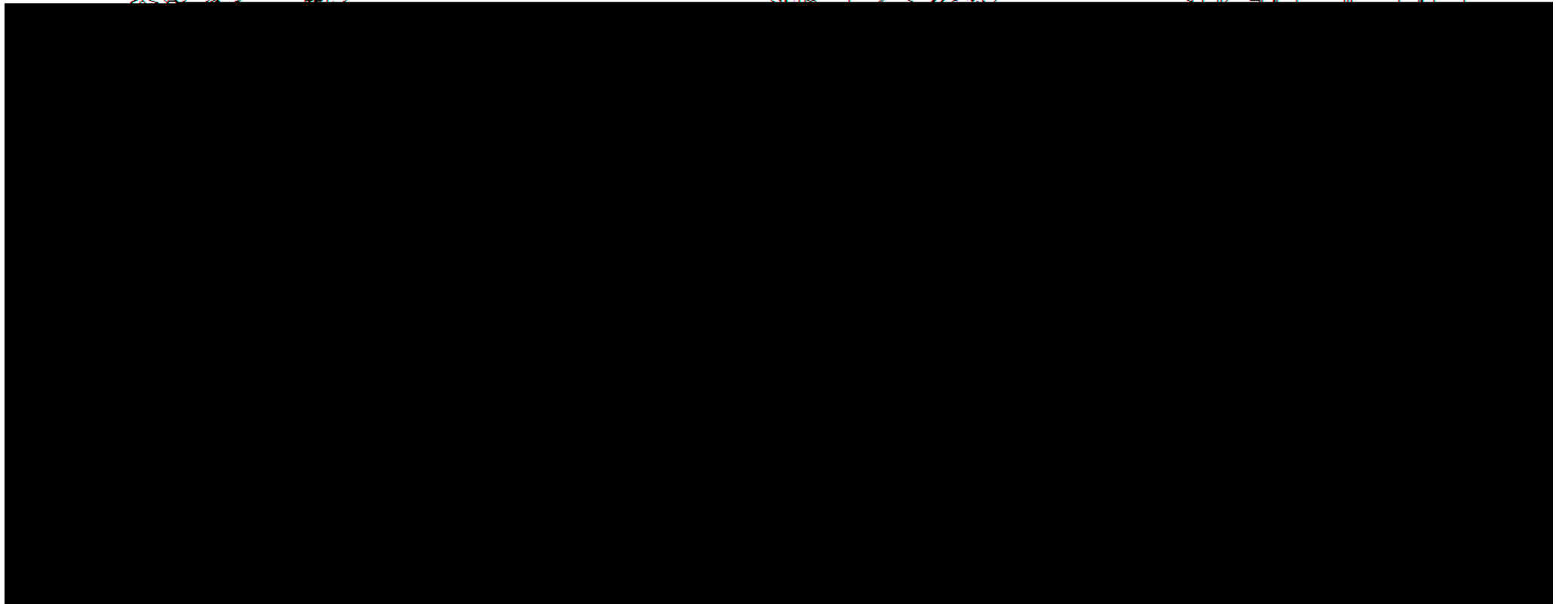
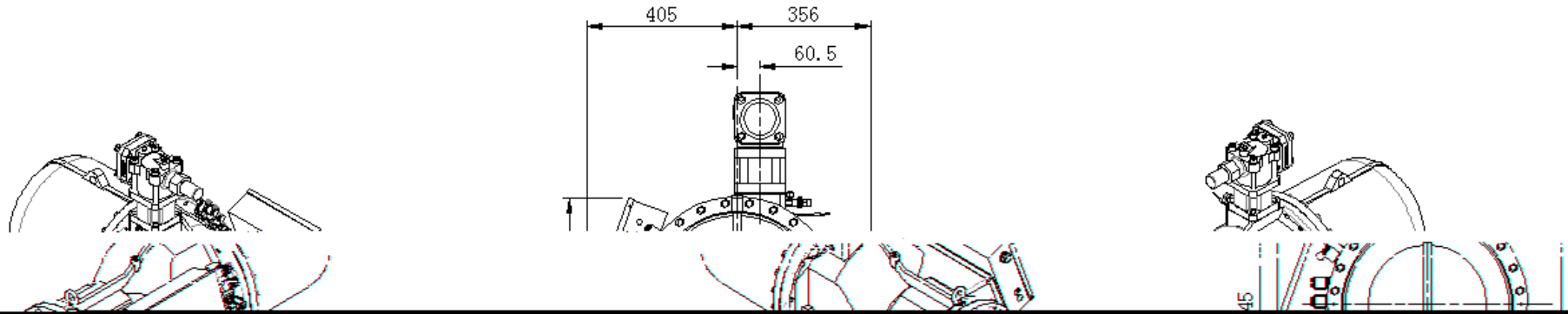
		-5	0	5	10
25	(kW)	502.4	616.1	749.5	904.4
	(kW)	83.5	84.7	85.1	84.4
	(A)	145.2	147.1	147.7	146.7
30	(kW)	477.1	586.2	714.3	863.3
	(kW)	93.3	95.1	96.1	95.9
	(A)	160.2	163.0	164.5	164.3
35	(kW)	451.2	555.8	678.7	821.8
	(kW)	103.8	106.2	107.7	108.0
	(A)	176.9	180.8	183.3	183.9
40	(kW)	424.7	524.8	642.4	779.7
	(kW)	114.9	117.9	120.0	120.9
	(A)	195.3	200.4	204.0	205.5
45	(kW)	397.2	492.9	605.4	736.9
	(kW)	126.7	130.3	133.1	134.5
	(A)	215.4	221.7	226.4	228.9
50	(kW)	368.7	459.9	567.4	693.1
	(kW)	139.3	143.7	147.1	149.1
	(A)	237.2	244.7	250.5	254.0

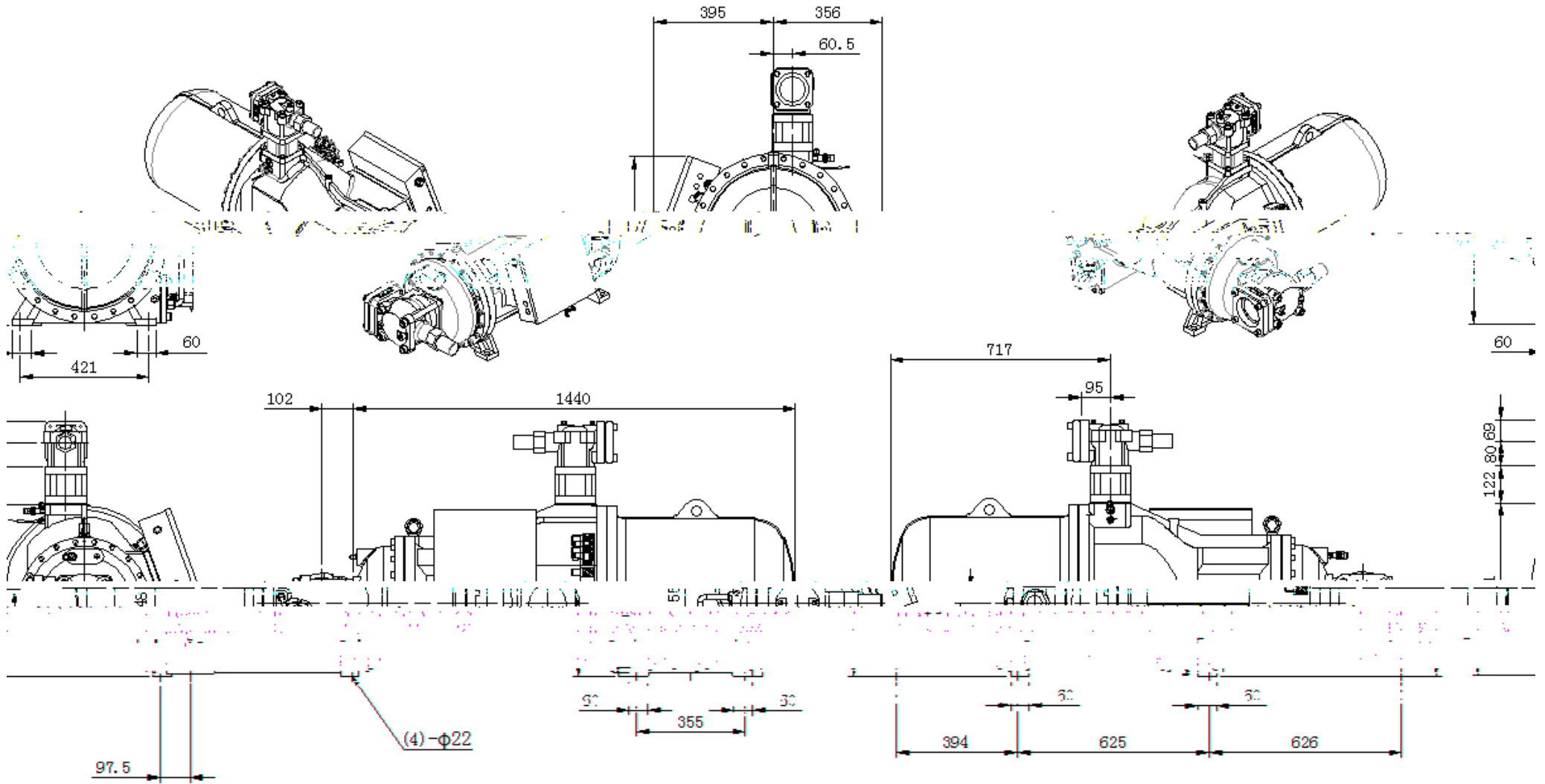


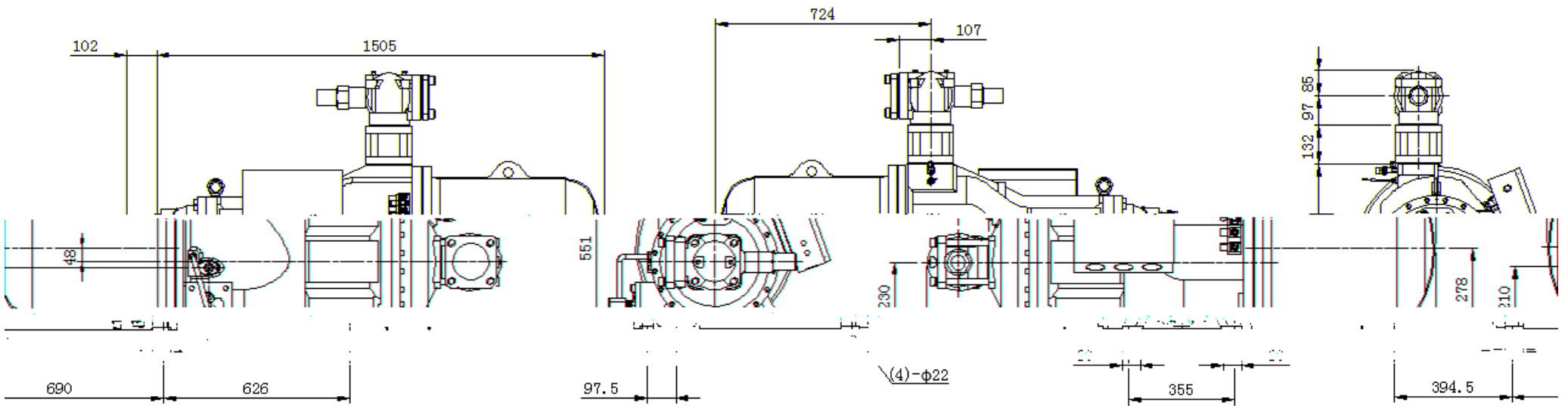
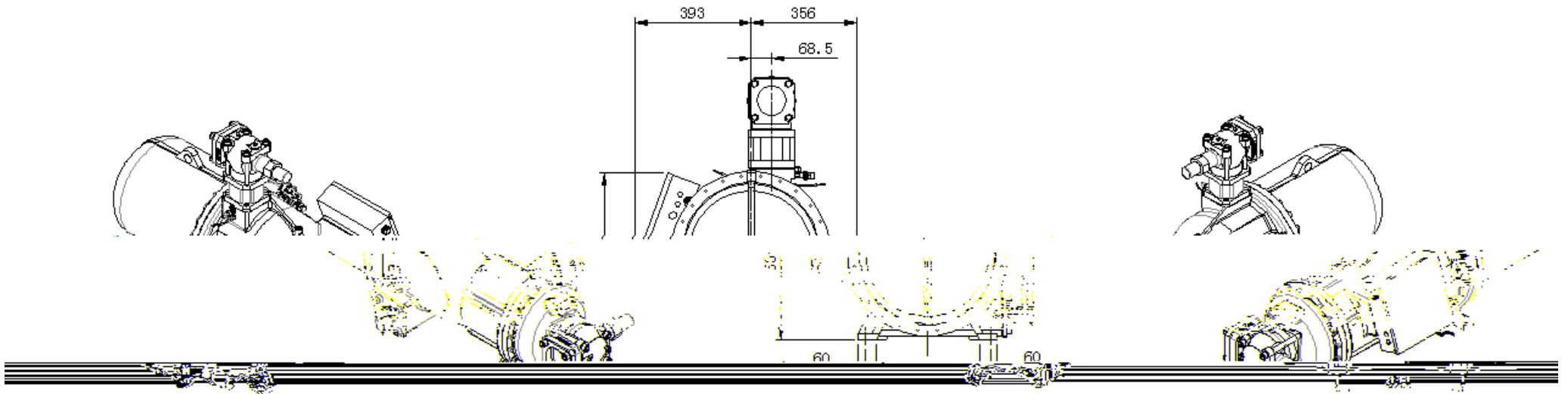


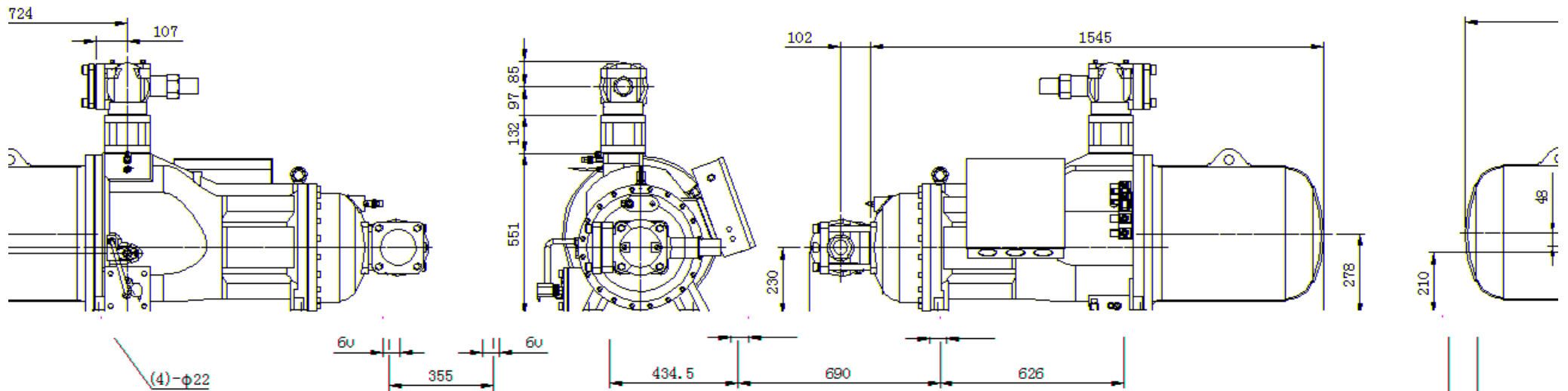
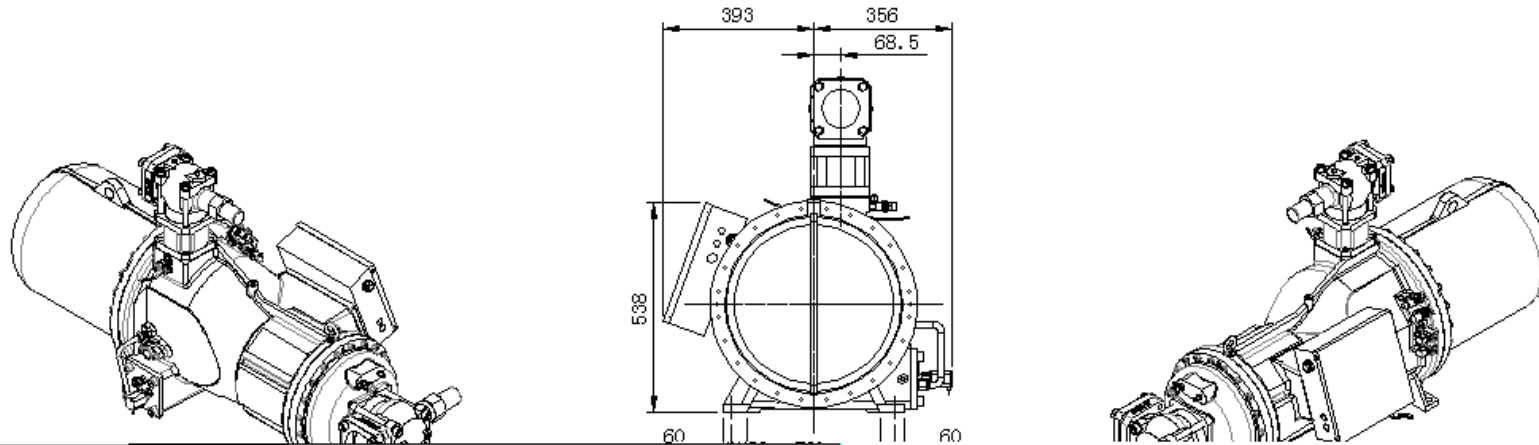


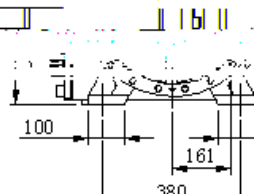
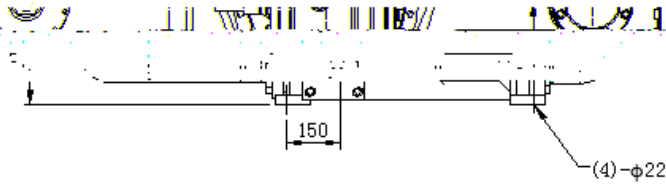
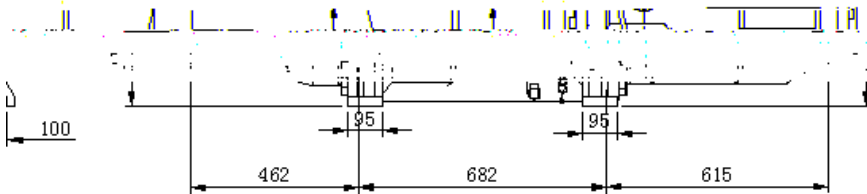
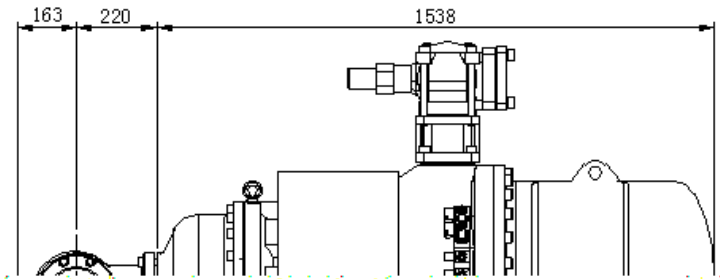
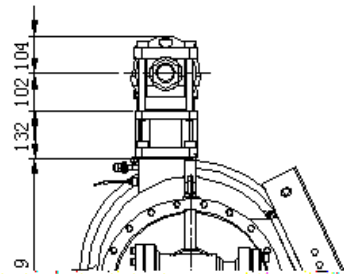
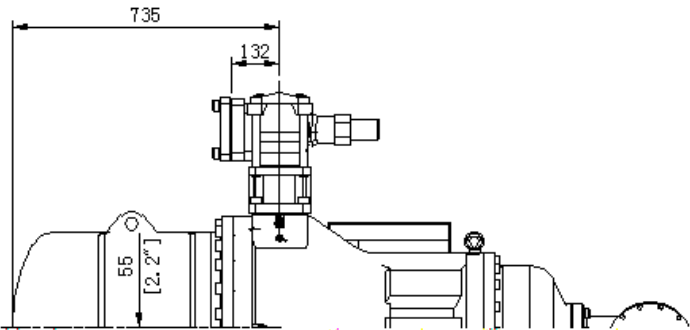
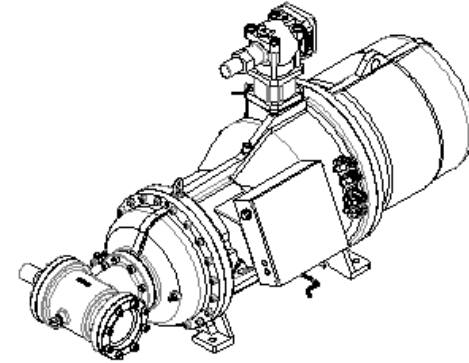
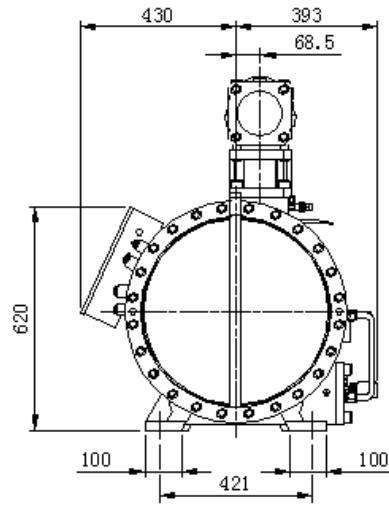
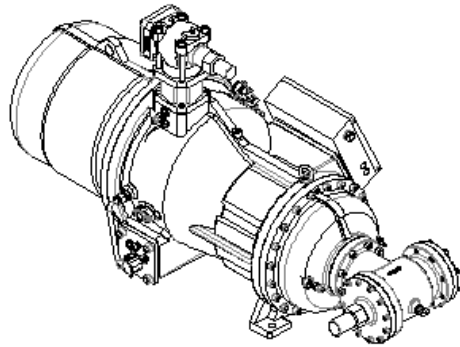


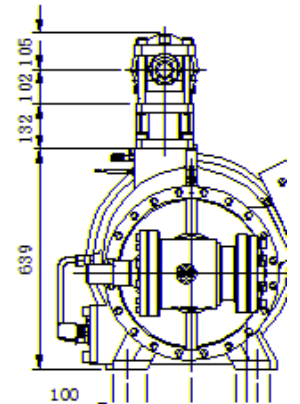
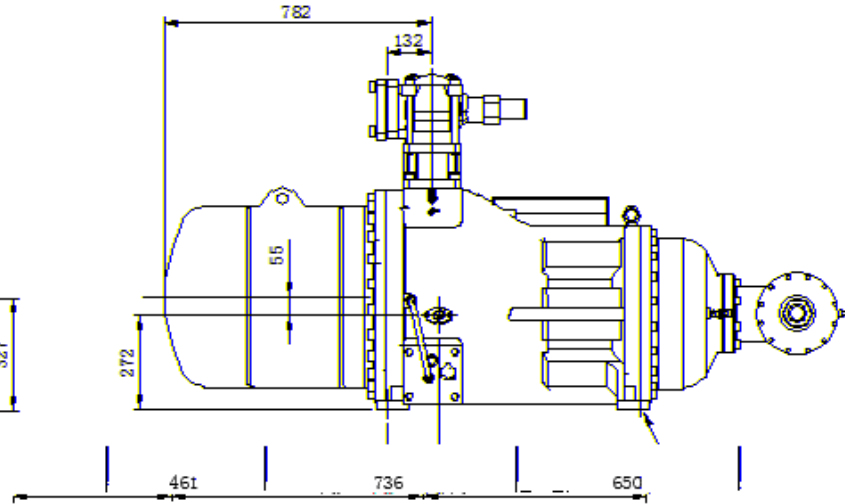
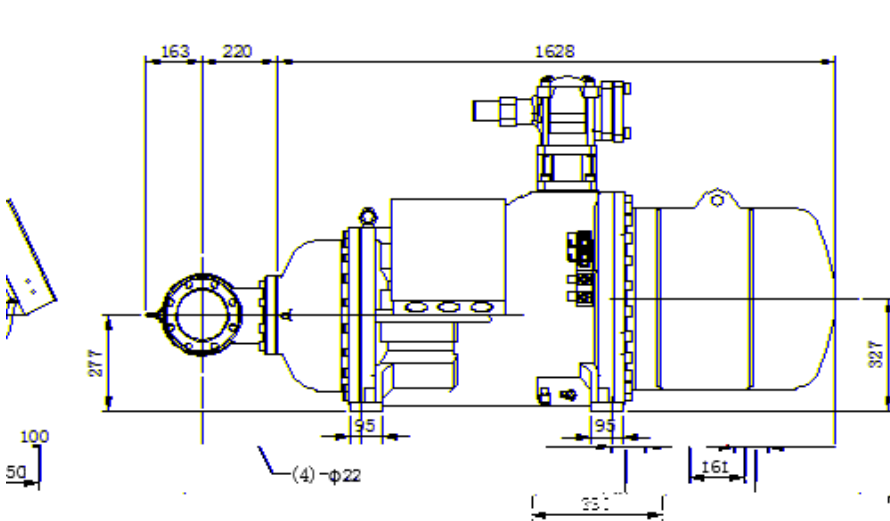
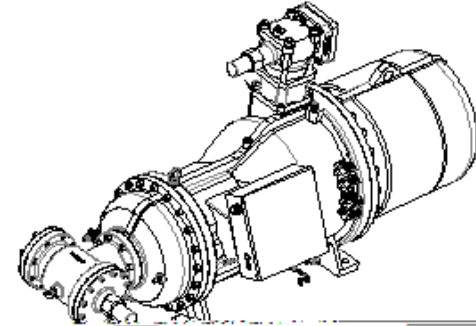
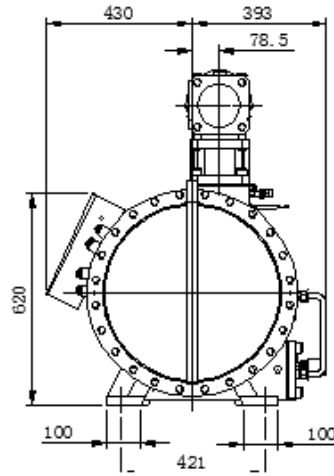
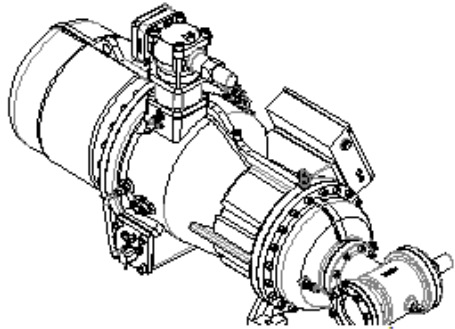


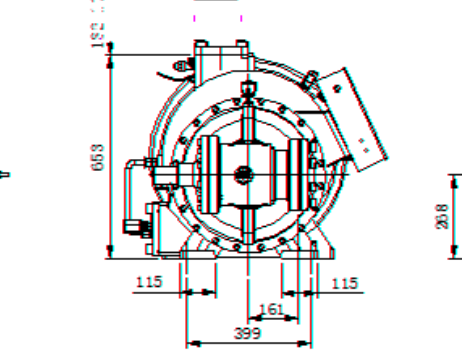
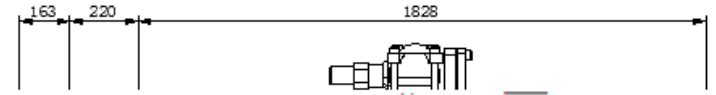
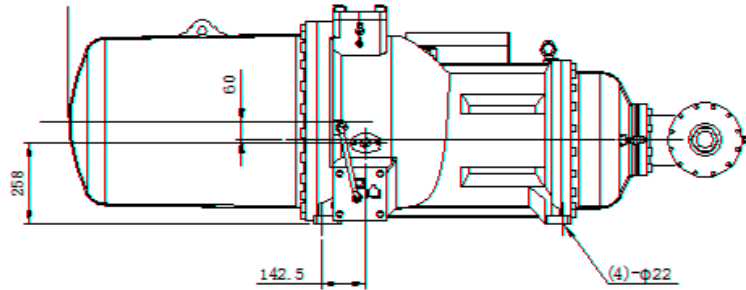
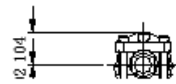
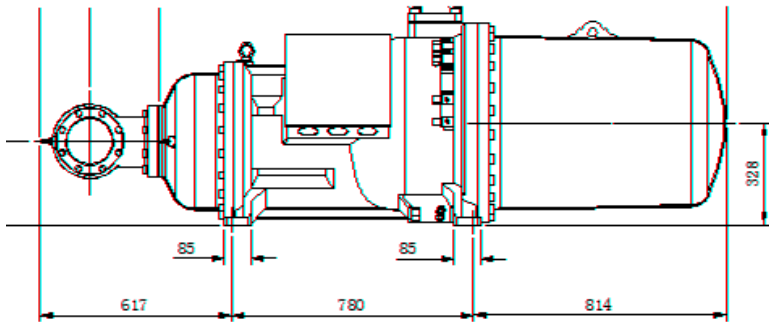
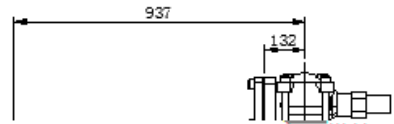
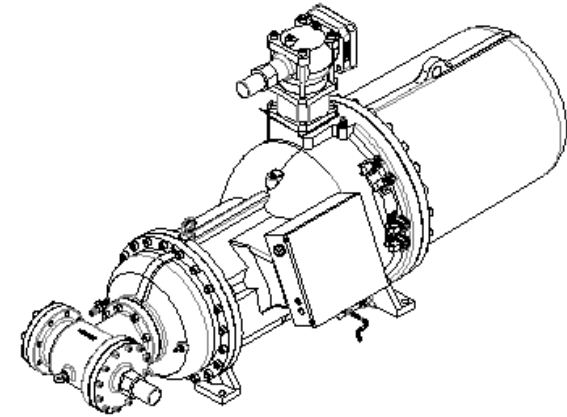
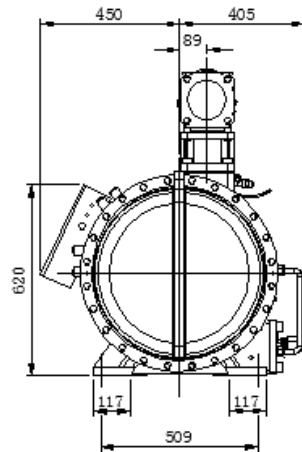
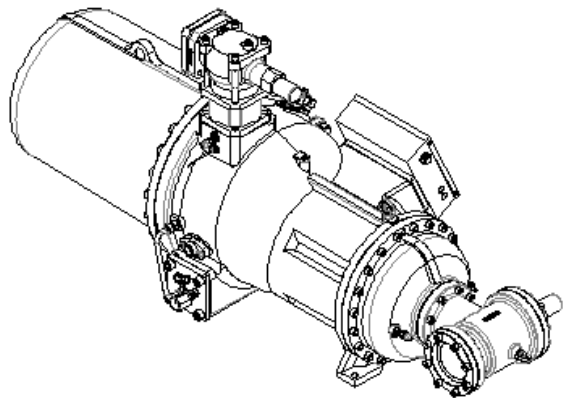


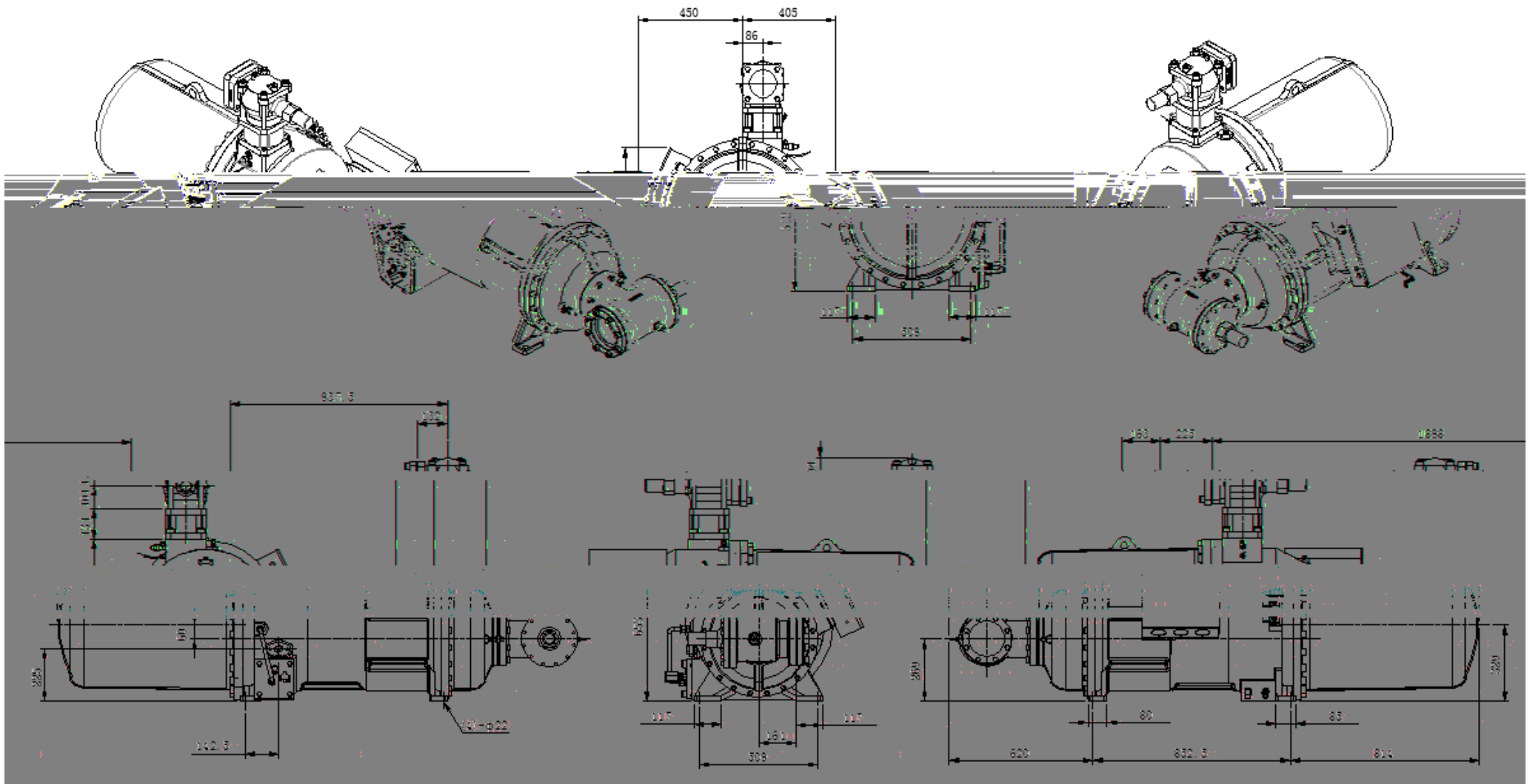


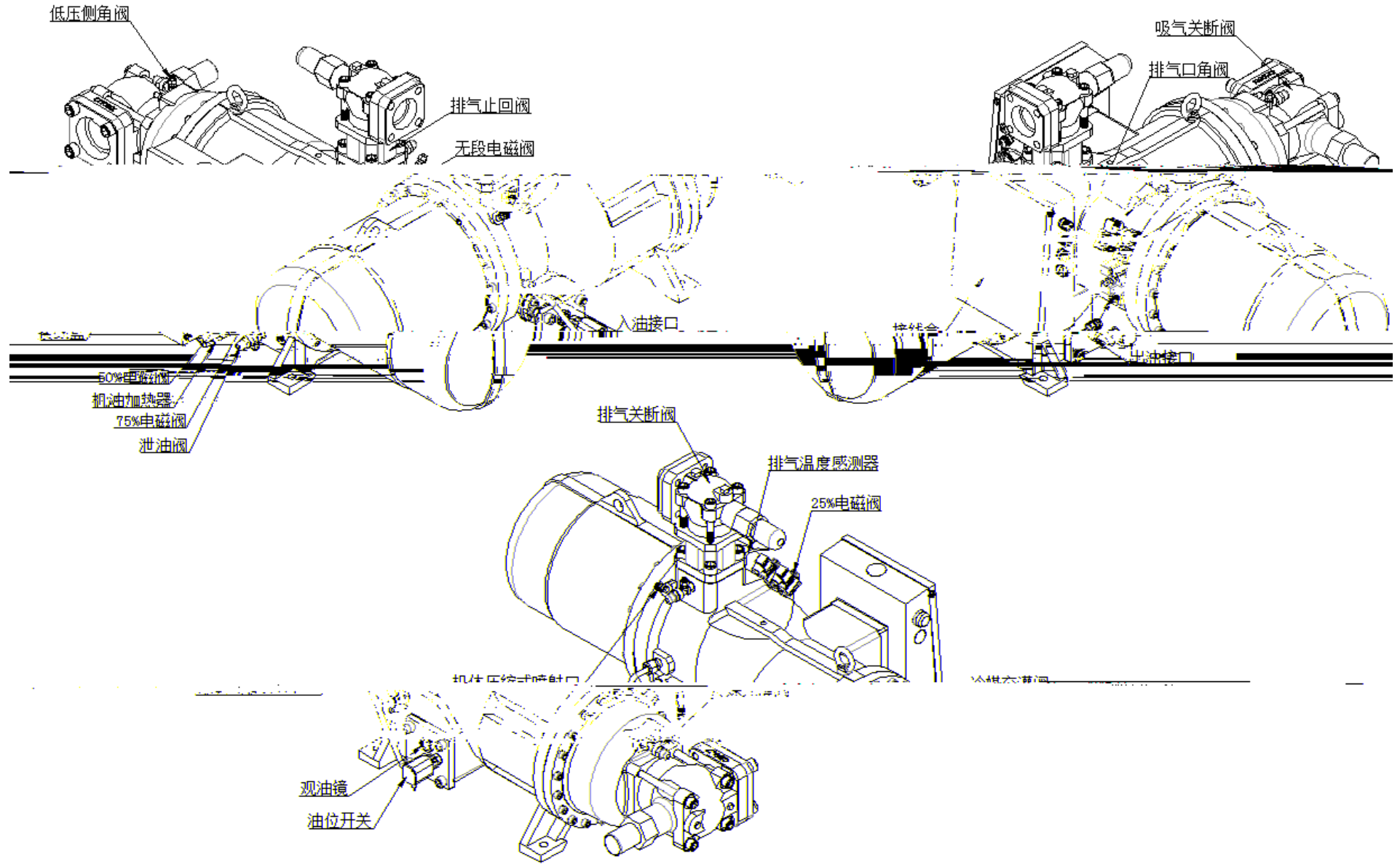


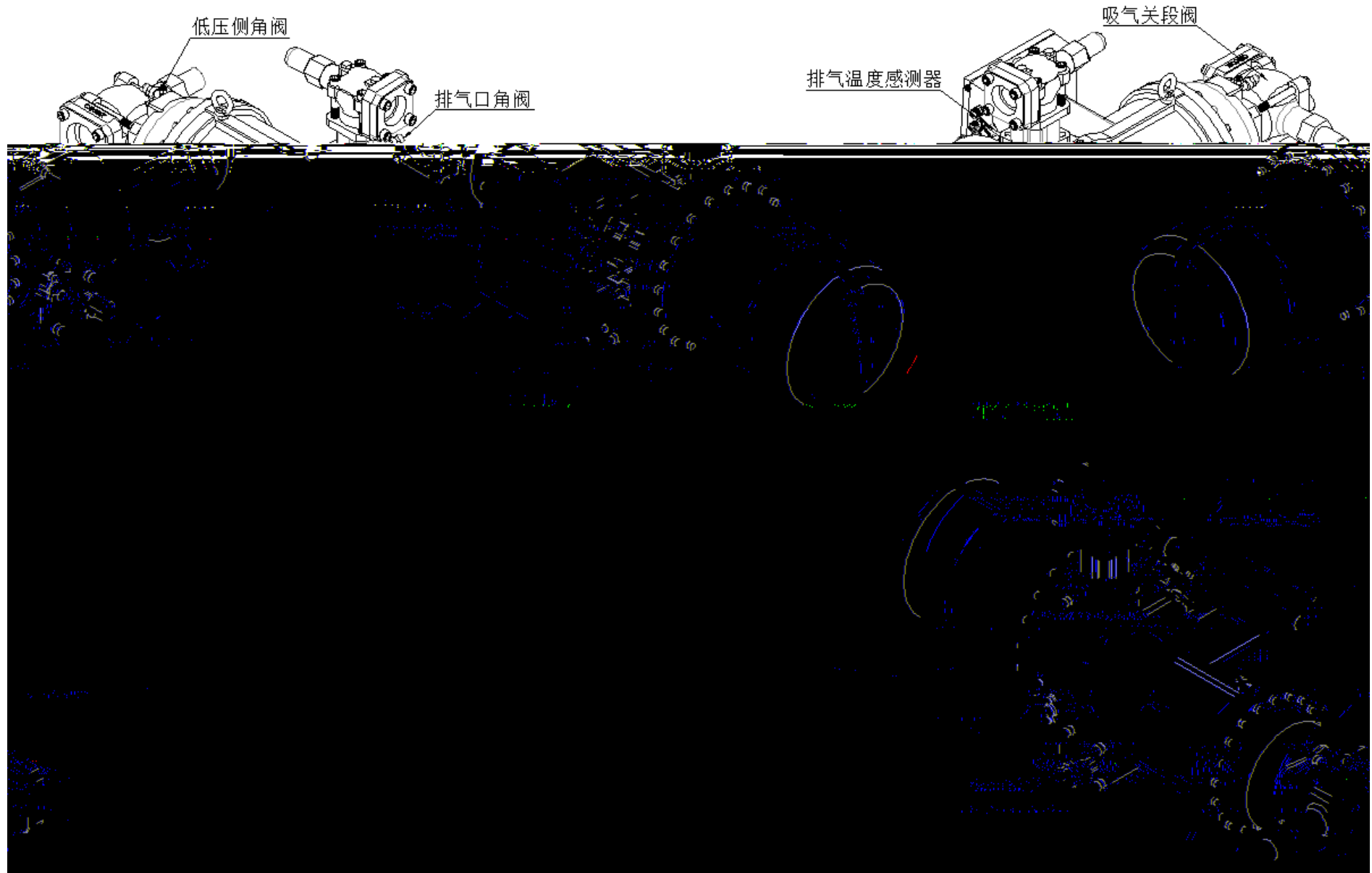


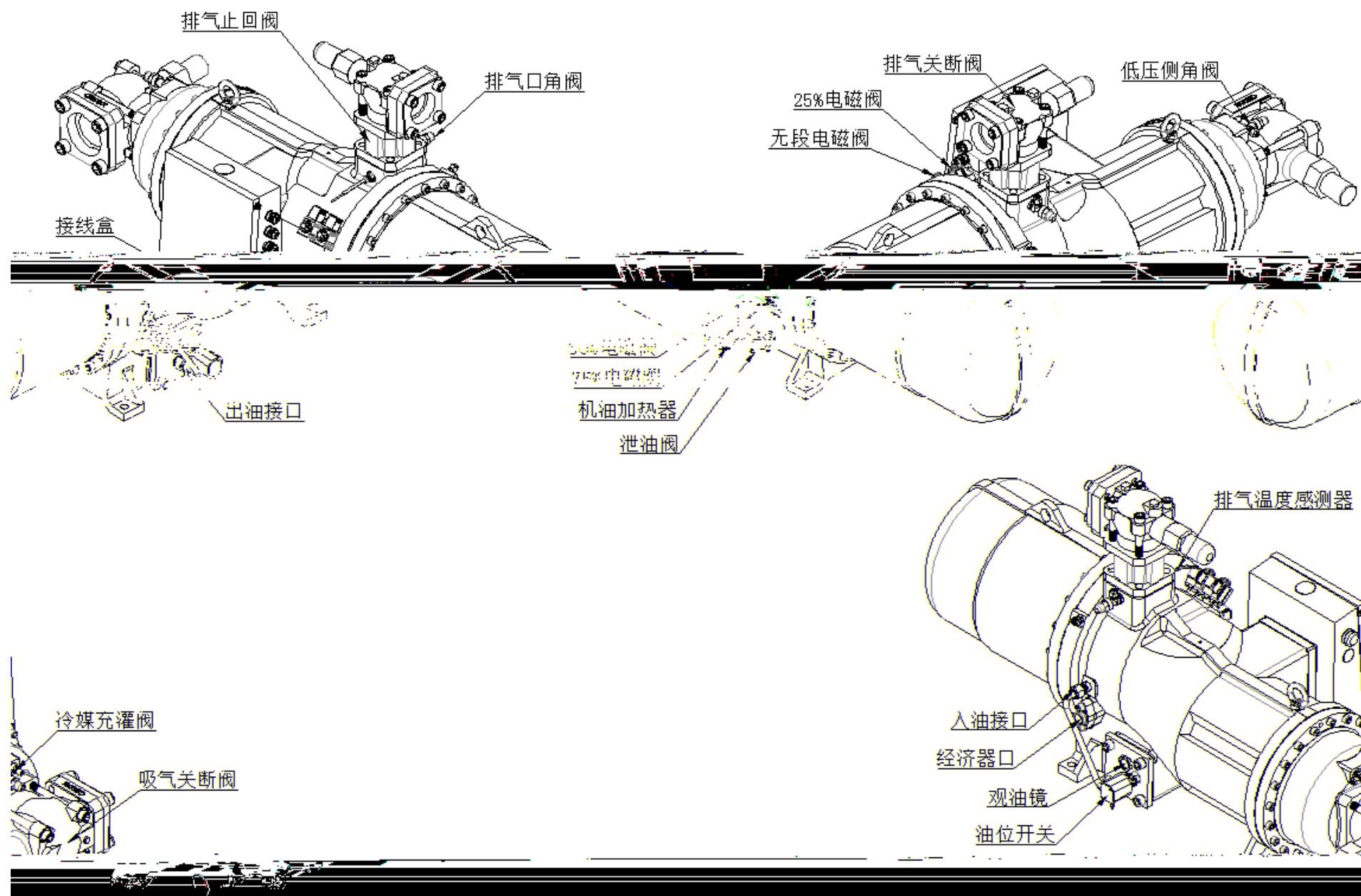


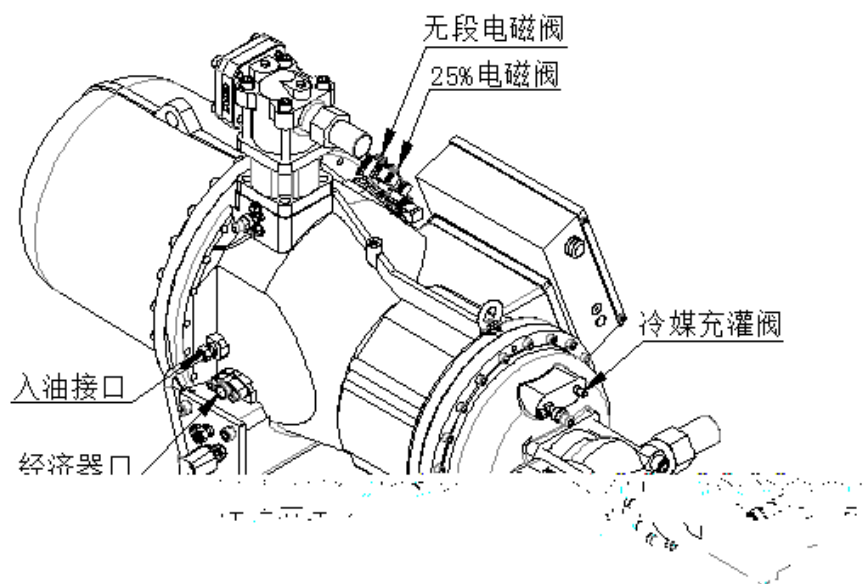
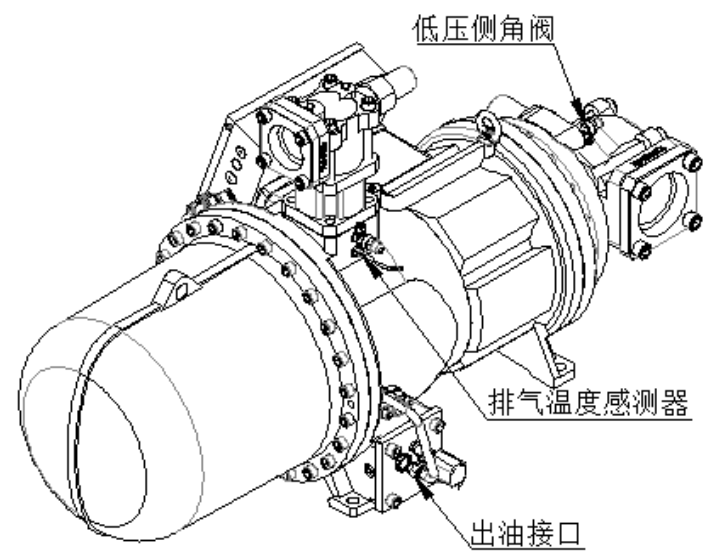
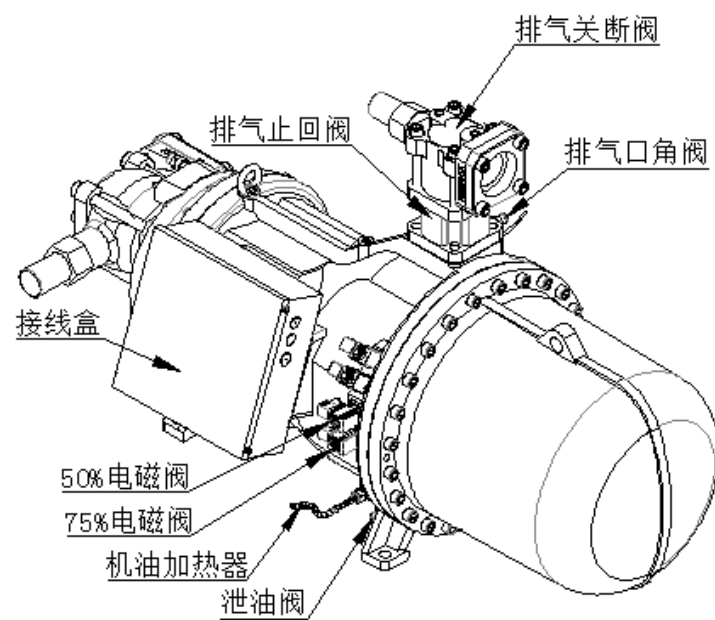


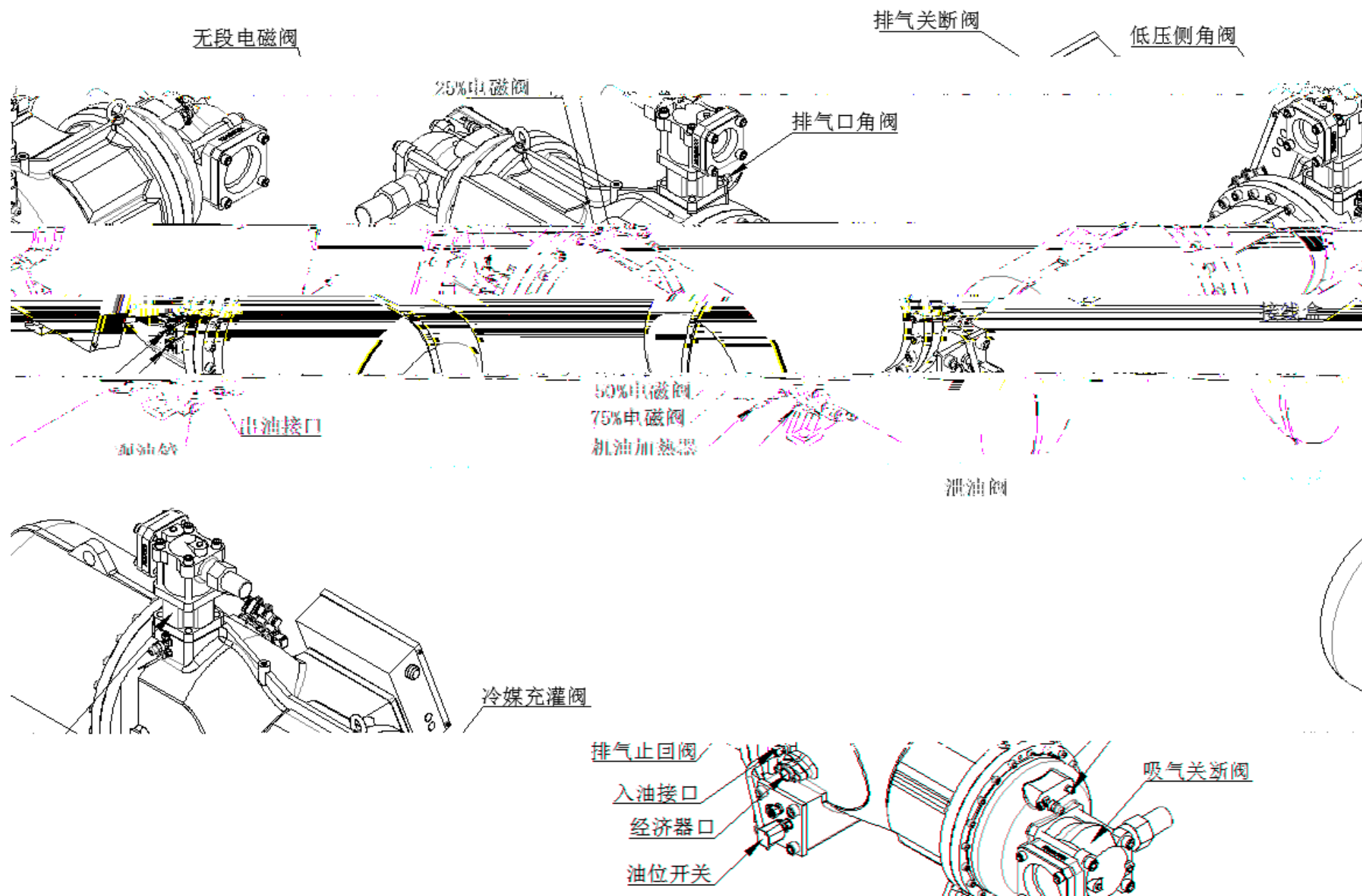


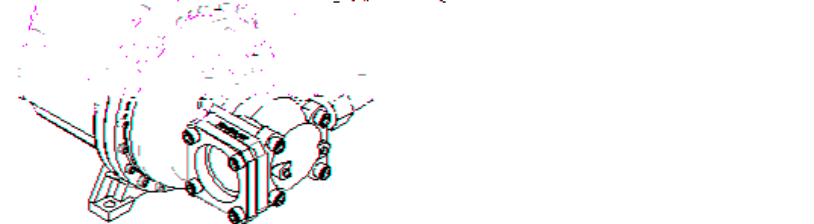
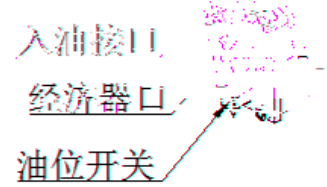
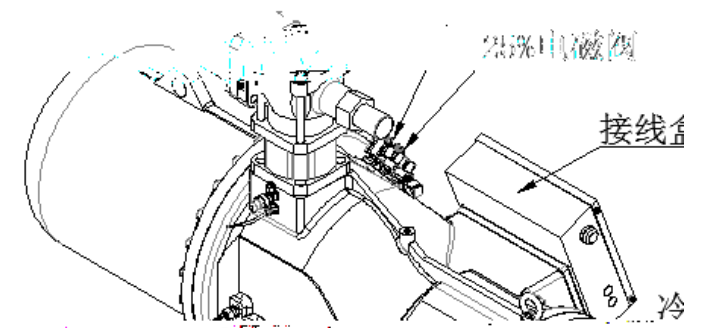
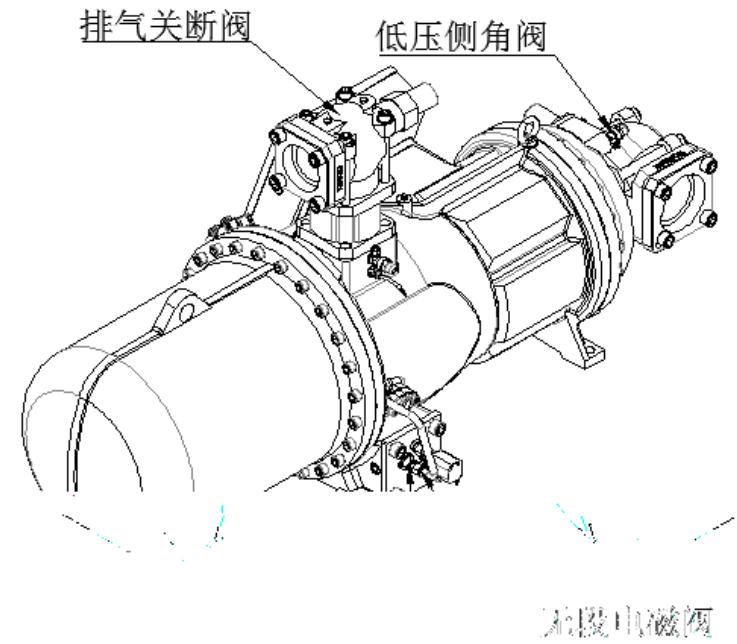
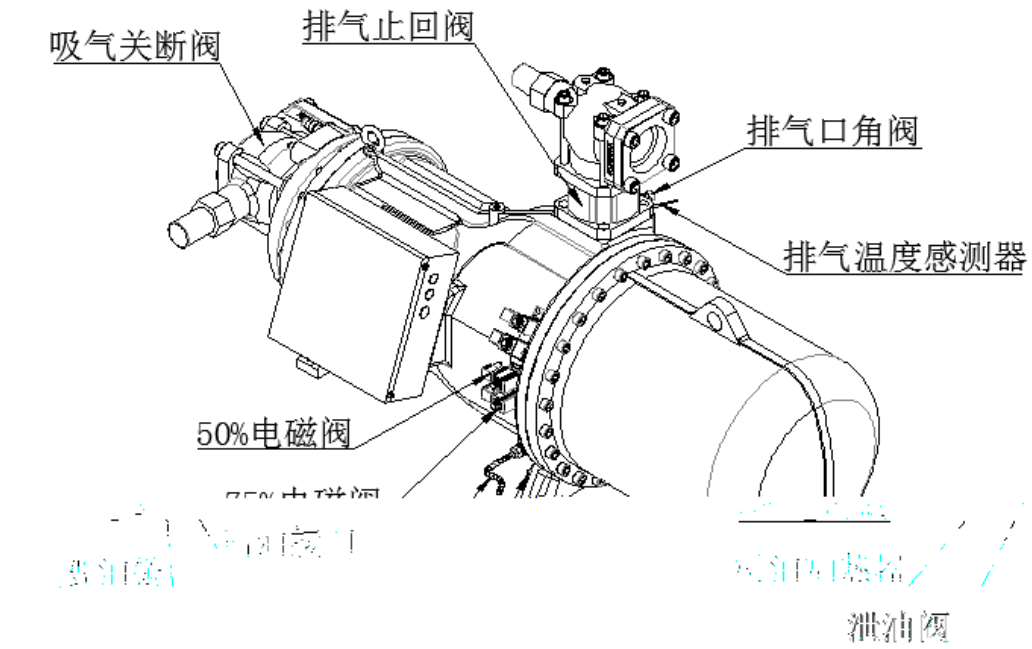










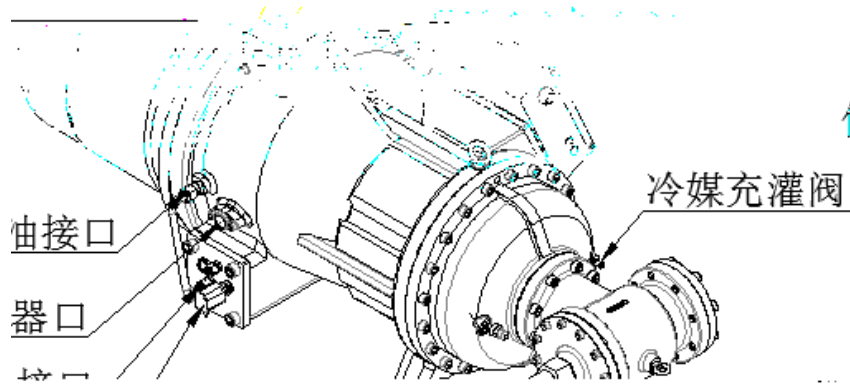


耳

媒充灌阀

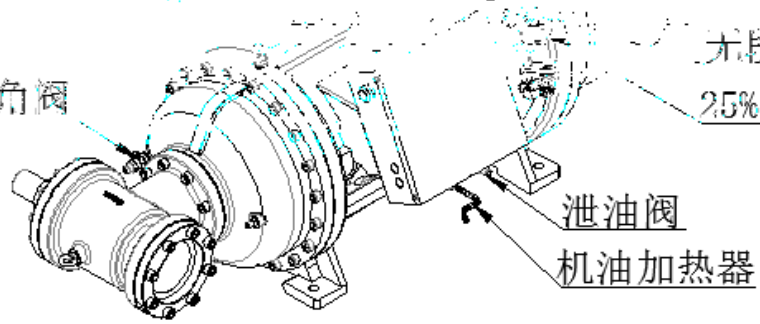
排气止回阀  
排气关断阀

排气温度感测器



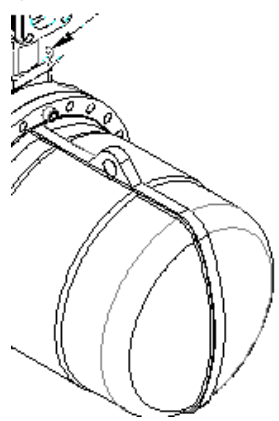
低压侧角阀

无段电磁阀  
25%电磁阀



入  
经济  
出

高压侧角阀



接线盒

50%电磁阀  
75%电磁阀

